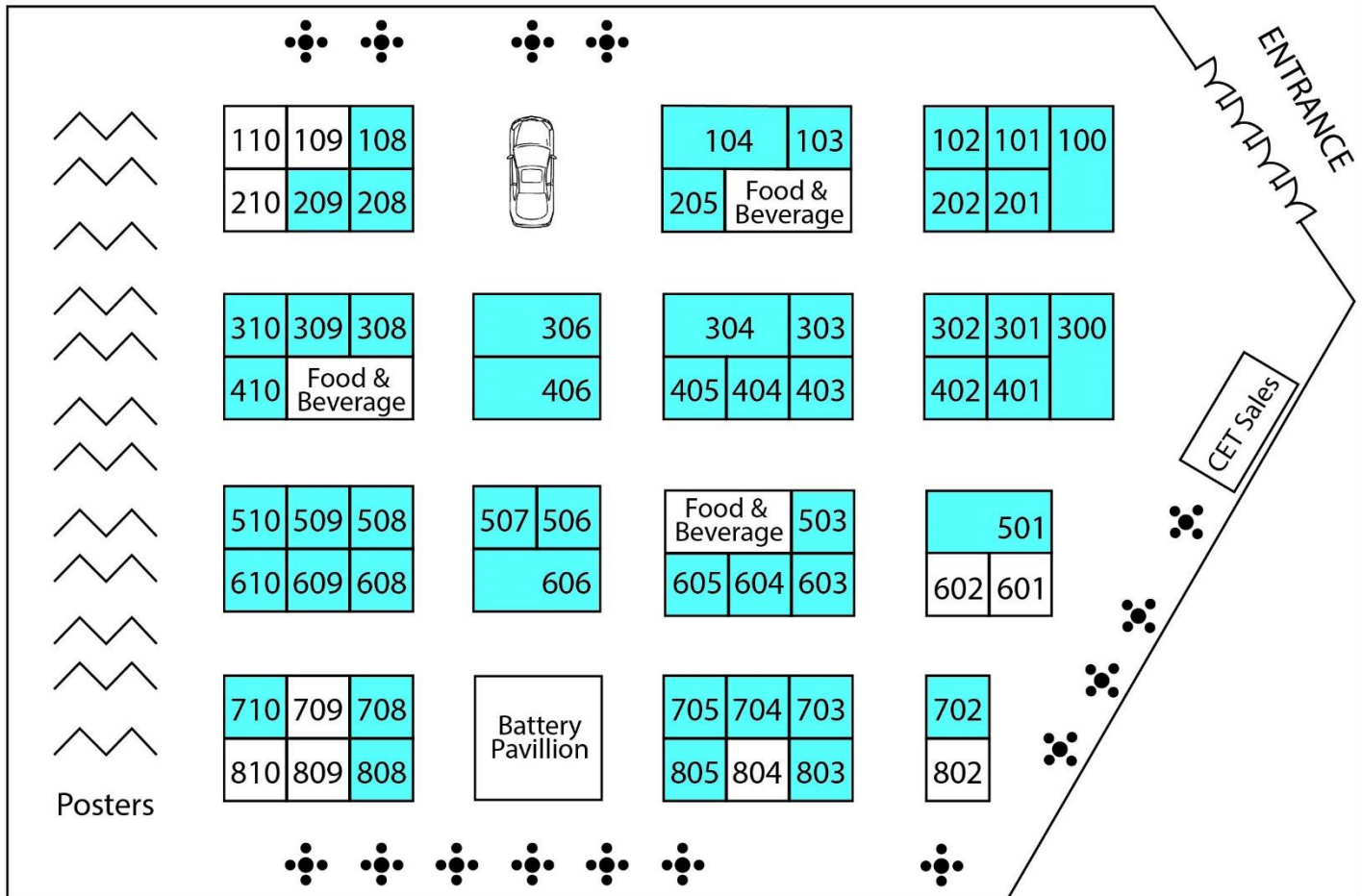


Exhibits: 29 – 31 January 2019
Strasbourg Convention + Exhibition Centre



*Floor plan subject to change.

*****Please scroll to next page for list of exhibitors.**

Company	Booth	Morgan Advanced Materials - Thermal Ceramics	
AEM Components (USA), Inc.	410	Munters GmbH	104
ALABC	405	NDC Technologies	805
Altech Chemicals Ltd.	209	NETZSCH-Feinmahltechnik GmbH	708
Arbin Instruments	202	Novonix	605
Arkema	604	PEC North America	403
Armor	506	PPG	603
Asahi Kasei Europe GmbH/Celgard	606	Proventia Test Solutions	808
Autoliv, Inc.	702	Pyrotek	402
Bio-Logic	300	Roskill	308
Bitrode Corporation	108	SOLITH - SOVEMA GROUP S.P.A.	208
Bühler AG	401	Solvay	201
Cabot Corporation	510	Thermal Hazard Technology	302
CAMX Power	704	Umicore	101
Chroma Ate Europe	100	Unifrax I LLC	508
CLEANTRON Cleantech Batteries	310	Venator	304
Digatron Power Electronics	301	Voltaiq	103
Elkem	309	Webasto Charging Systems, Inc.	705
FEV Europe GmbH	703	Wickeder Westfalenstahl GmbH	507
Freudenberg Sealing Technologies GmbH&Co.KG	306	Wildcat Discovery Technologies	404
Guangzhou Tinci Materials Technology Co. Ltd.	710	ZARGES – Pending Agreement	803
Haikutech Europe BV	509		
HIOKI EUROPE GmbH	102		
Hitachi High-Technologies Europe GmbH	406		
ICM AG	609		
Ivium Technologies	610		
JSR Micro NV	608		
Maccor, Inc.	501		
Math2Market GmbH	503		
MEET Battery Research Center	303		